

NEED A SAFER WAY TO HANDLE YOUR CATTLE? PROBLEM SOLVED.

CATTLE

CROWDING TUB



ARROWQUIP

OUR PROMISE TO YOU

You work hard, day in and day out in the most adverse working conditions. When you put your life on the line every day to feed a world that often seems to be against you, it's time cattle equipment manufacturers step up and make your safety a top priority. With Arrowquip, your safety is guaranteed, or your money back.*

* More details: arrowquip.com/promise

MODEL: 8' RADIUS

WEIGHT: SA 90° 1219 lbs. | SA 180° 1221 lbs.

DIMENSIONS: 102" w x 86" h x 191" l

MAX NO. OF ADULT CATTLE: 2-3

ALLEY LENGTH: Min. 16' (2 x 8' Alleys)

MODEL: 10' RADIUS

WEIGHT: SA 90° 1486 lbs. | SA 180° 1487 lbs. | DA 90° 1370 lbs. | DA 180° 1435 lbs.

DIMENSIONS: 126" w x 86" h x 236" l

MAX NO. OF ADULT CATTLE: 4-5

ALLEY LENGTH: Min. 20' (2 x 10' Alleys)

MODEL: 12' RADIUS

WEIGHT: SA 90° 1843 lbs.

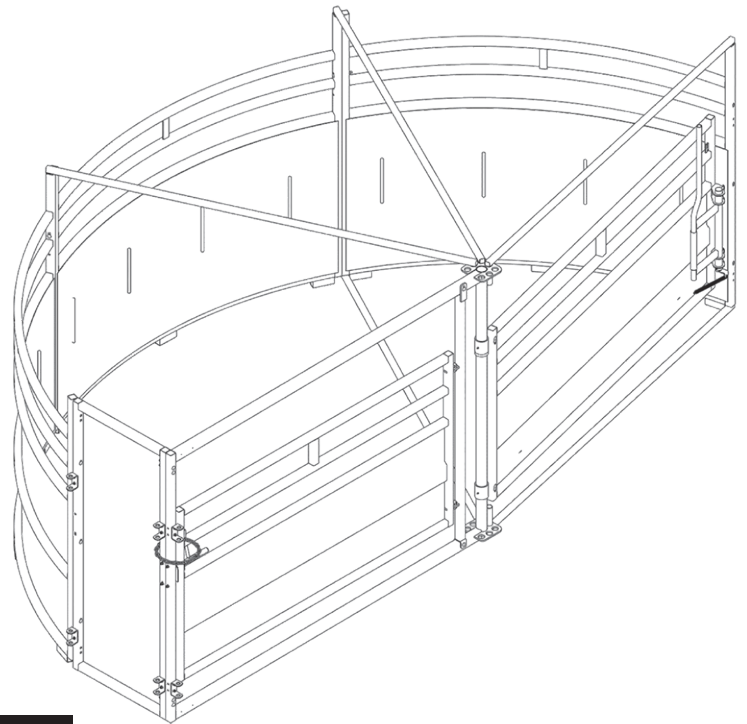
DIMENSIONS: 153" w x 86" h x 290" l

MAX NO. OF ADULT CATTLE: 7-8

ALLEY LENGTH: Min. 30' (3 x 10' Alleys)

MOVE MORE CATTLE IN LESS TIME

Arrowquip's Cattle Crowding Tubs are a high capacity, high quality product designed to move your cattle quickly and safely into a chute, alley, or truck. The Crowding Tub features a tubular frame that is light-weight, yet durable enough to withstand the heavy-duty use of a crowding tub. The crowd gate lock-out and exit gate come standard on the Crowding Tub, and distractions are kept to a minimum with the sheeted sides. The tub features simple assembly, ensuring efficient set-up and tear down as necessary.



PRODUCT WARRANTY

- Cattle Crowding Tubs - 5 YEARS

Products must be registered to claim warranty. Contact your Authorized Arrowquip Dealer for more information.



HIGH-QUALITY CONSTRUCTION

- 14-gauge steel sheeting
- Panels are bolted together for structural integrity
- Rectangular tubing limits cattle bruising and injury
- Powder-coated steel ensures long-term durability of the equipment
- Panels are stabilized by joiner bars connecting to the center of the tub
- 12' tub features welded stays to provide extra support



ENHANCED SAFETY

- Designed to be operated from the outside of the tub
- Half circle shape eliminates risk of animals backing into a corner
- Crowd gate lock assists in sweeping so cattle are unable to push the gate back
- Higher railing on panels and gates for 12' tubs is ideal for spirited cattle
- Rubber bumper on center post to eliminate gap

EVEN QUIETER

- Sheet metal is caulked to reduce noise
- Bolted panels eliminate rattling
- Rubber bushing on the crowd gate lock cushions impact to eliminate metal clanging

Arrowquip has been creating best in class livestock equipment since 1988 through an extensive research and development process that is unmatched in the cattle industry. We employ the only team of engineers specifically dedicated to cattle handling, and are constantly improving our equipment to adhere the latest recommendations from key researchers and cattle handling experts.

Every piece of equipment we design is intended to make managing your cattle faster, easier, and safer every step of the way. Why does that matter?

Easier. Working cattle is hard enough. Why make it harder on yourself with equipment that is difficult to use and requires frustrating adjustments? Our equipment is designed with ease of use for the operator in mind, with ergonomic handles and far less adjustments, to make working your cattle easier than ever before. You don't need to be 6' tall to use our equipment, either!

Faster. Too many cattle handling systems are designed without consideration for natural cattle behavior, which results in stubborn cattle

that refuse to move effectively. Arrowquip equipment works with animal science to get cattle to move through the handling system without delays, thanks to unique features like our patented 3E System that uses light to draw cattle from tub to chute.

Safer. Good help is hard to find, and getting harder every day. When you're out in the field with your kids, your brother, or your wife, you need equipment you can trust every step of the way. There is no room for error. Our equipment is designed with safety for handlers and cattle in mind, and undergoes extensive testing to ensure the equipment is reliable for your ranch.

From chutes for cattle to custom cattle working systems and pens, Arrowquip has a solution for all your cattle handling needs. For added security, our equipment is backed by industry-leading warranty. Let our generations of ranching experience and knowledge of cattle behavior help you develop a more efficient and profitable operation today, tomorrow, and for years to come.

