

BECAUSE WORKING CATTLE ANYWHERE SHOULDN'T BE A PROBLEM.

PORTABLE Q-CATCH® 74 SERIES

CHUTE, ALLEY & TUB



ARROWQUIP

OUR PROMISE TO YOU

You work hard, day in and day out in the most adverse working conditions. When you put your life on the line every day to feed a world that often seems to be against you, it's time cattle equipment manufacturers step up and make your safety a top priority. With Arrowquip, your safety is guaranteed, or your money back.*

* More details: arrowquip.com/promise

PRODUCT CODE: 7408

WEIGHT: 4272 lbs.

WORKING DIMENSIONS: 140" w x 95" h x 420" l (When set up.)

TOWING DIMENSIONS: 70" w x 108" h x 361" l (With wheels and hitch.)

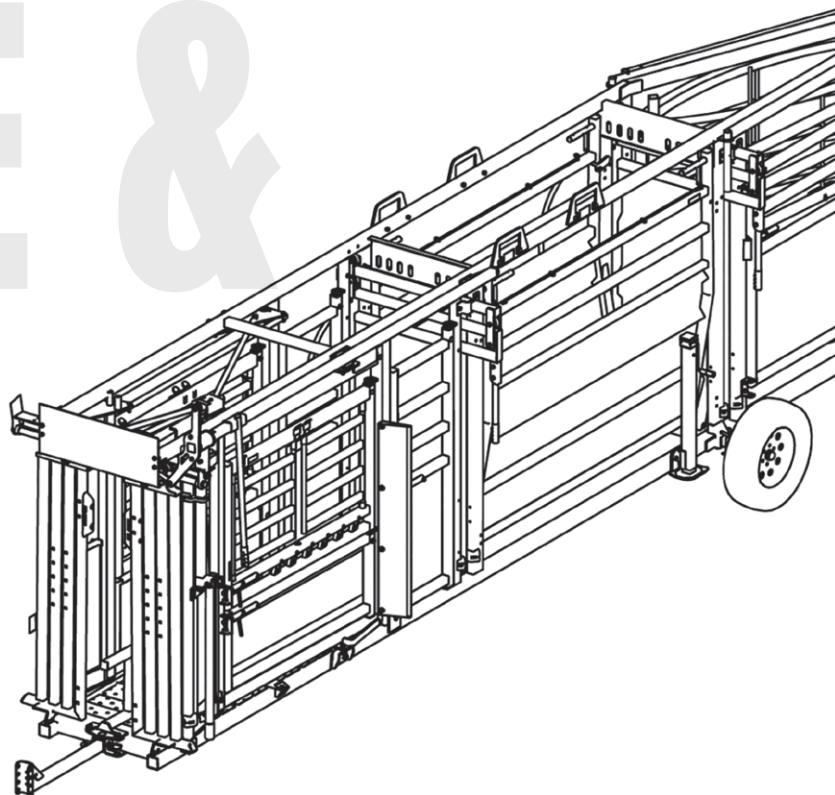
THE MOST COMPACT HANDLING SYSTEM EVER

The Q-Catch 74 Series Portable Chute, Alley and Tub is designed for safe and efficient cattle handling anytime, anywhere. Featuring the new Q-Catch 74 Series cattle chute, together with an 8' Easy Flow Adjustable Alley section and a redesigned 8' Crowding Tub, this portable handling system is everything you need to step up your operation. When setting up only takes a matter of minutes, the Q-Catch 74 Series Portable Chute, Alley and Tub greatly boosts productivity no matter where you take it.

PRODUCT WARRANTY

- Portable unit - **5 YEARS**
- Patented head gate friction locks – **LIFETIME**
- Patented squeeze friction locks – **LIFETIME**
- Rump fingers – **LIFETIME**
- Rubber floor – **LIFETIME**

Products must be registered to claim warranty. Contact your Authorized Arrowquip Dealer for more information.





3E Q-CATCH HEAD GATE [PATENTED]

- Uses light to draw cattle into the chute
- Barred style allows cattle to see light past the head gate
- Patented locking mechanism features infinite adjustments
- Self-lubricating head gate rollers are maintenance-free
- Opens to a full 29.5" top to bottom
- Single lever push-to-close, pull-to-open operation never requires adjustments

HEAD GATE OPERATION HANDLE

- User-friendly handle that reduces operator's fatigue
- Handle can be situated anywhere along the side of the chute



DIRECT DRIVE SYSTEM [PATENTED]

- Enhanced design provides a direct connection from the control tube to the head gate
- Provides instant head gate response time
- Head gate operation can be easily converted* to the opposite side
*Requires additional parts. See product manual.



REMOVABLE AND CONFIGURABLE IN 7 WAYS

RUMP FINGERS

- Nylon rump fingers designed to endure high pressure
- Includes a heavy-duty rubber-coated fiberglass rump bar that is light and slip-resistant

NEEDLE ACCESS [PATENT-PENDING]

- Drop-down needle bar allows for quick access to the neck
- Completely removable panel

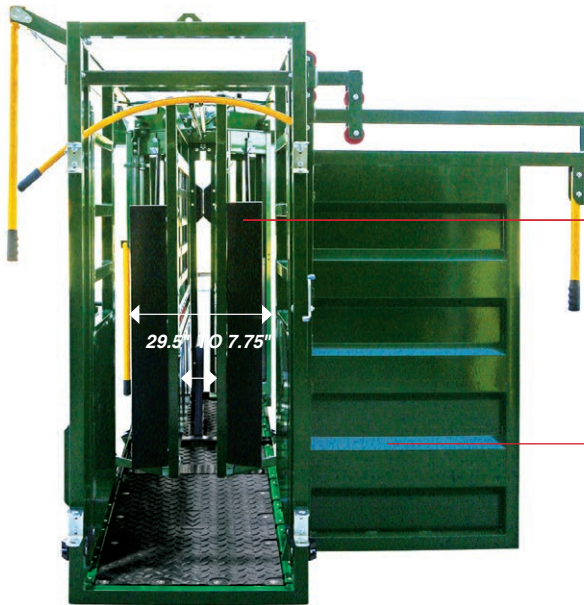
FLOORING [PATENT-PENDING]

- Patent-pending flooring made in North America from the highest-grade rubber materials – **LIFETIME WARRANTY**
- Quietest flooring system on the market today
- Fully replaceable

12.75" NEEDLE GATE ACCESS TOP TO BOTTOM

MAINTENANCE-FREE, MOLDED RUBBER FLOORING

CAN BE USED INDEPENDENTLY OR TOGETHER



SQUEEZE

- Single lever push-pull operation
- Designed to work with cattle of any size
- Patented lockbox on the squeeze offers infinite adjustments - **LIFETIME WARRANTY**

ROLLING ALLEY GATES

- Reversible offside & onside operation
- Top-mounted to eliminate the issue of build-up
- Reversible offside & onside operation



VET DOOR

- Improved slam latch ensures the door won't swing through when slammed shut



EASY FLOW ALLEY

- Cradle-shaped alley prevents cattle of any size from turning around
- Removable panels for varied sheet height options
- Scale platform compatible
- Narrows down the middle to work with the parallel squeeze
- Both side panels on the alley can be adjusted from one side with connection cables
- Safety latches on the side panels add security when adjusting
- Spring-loaded locking system allows for easy adjustments



COLLAPSIBLE TUB

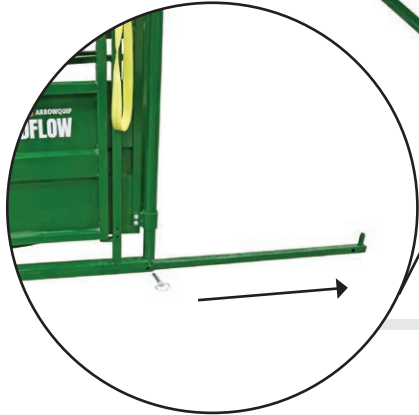
- 8' radius crowding tub
- No assembly required
- Quick and easy set up



FOLDS IN ITSELF FOR COMPACT TOWING

CAN BE USED AS A CROWD GATE

NO TRIPPING HAZARDS



PORTABLE SYSTEM FRAME [PATENT-PENDING]

- Engineered for durability during transport
- Most compact towing units in the industry
- Simple set-up and takedown

TRANSPORTATION

- Improved hitch has an added gusset for additional support, and the bracket can be adjusted into three different positions to work with different vehicles
- Simple set-up and take-down
- Includes American-Made heavy-duty ball hitch



2" x 3" BEAMS

MANUAL HITCH JACK

WHEELS INSTALLED/ REMOVED WITH TWO PINS

3" x 3" BEAMS

TOWING VS WORKING DIMENSIONS



WORKING: 420"

TOWING: 361" (WITH WHEELS AND HITCH)

ADD-ONS



3RD GENERATION HEAD HOLDER [PATENTED]

The head holder is a sturdy mechanism that clamps around the animal's neck and holds the head immobile. The head holder features single-lever push pull operation, and simplifies any procedure requiring access to the animal's head. The 3rd generation head holder is more heavy-duty than previous models, and features new mechanical connections.



BULL CATCHER

Add a focused pressure point to the head gate with the Bull Catcher to make catching and securing bulls, cows, and calves as easy as possible.



STERNUM BAR

The sternum bar prevents cattle from going down in the chute. The improved design is sheeted to prevent hoof traps, and is easily installed or removed with 2 bolts.



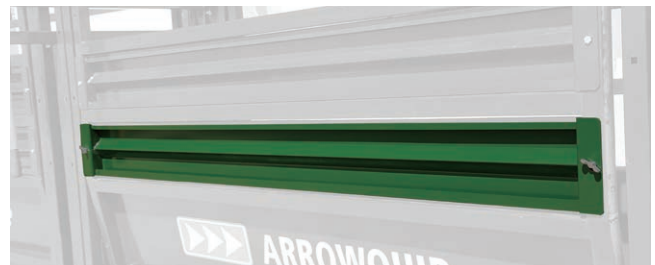
RUBBER NECK CUSHION KIT

Add the Rubber Neck Cushion Kit to your head gate to help reduce the chance of shoulder bruising and for added shock absorption.



CALF RESTRAINER BAR

The Calf Restrainer Bar provides added safety when banding, trimming or branding cattle by tucking into the hip joint, immobilizing the hip. You can adjust the position and angle of the bar along the side of the chute to quickly adjust to different sizes of cattle.



ADDITIONAL REMOVABLE SIDE PANELS

These panels can be used to raise the sheet height of your alley to further control what cattle see. Eliminating distractions can greatly improve the efficiency of cattle flow through your system.

ADD-ONS



ANTI-BACKING BAR

An add-on you can install in an alley section to prevent cattle from backing up and disrupting the flow.

Arrowquip has been creating best in class livestock equipment since 1988 through an extensive research and development process that is unmatched in the cattle industry. We employ the only team of engineers specifically dedicated to cattle handling, and are constantly improving our equipment to adhere the latest recommendations from key researchers and cattle handling experts.

Every piece of equipment we design is intended to make managing your cattle faster, easier, and safer every step of the way. Why does that matter?

Easier. Working cattle is hard enough. Why make it harder on yourself with equipment that is difficult to use and requires frustrating adjustments? Our equipment is designed with ease of use for the operator in mind, with ergonomic handles and far less adjustments, to make working your cattle easier than ever before. You don't need to be 6' tall to use our equipment, either!

Faster. Too many cattle handling systems are designed without consideration for natural cattle behavior, which results in stubborn cattle

that refuse to move effectively. Arrowquip equipment works with animal science to get cattle to move through the handling system without delays, thanks to unique features like our patented 3E System that uses light to draw cattle from tub to chute.

Safer. Good help is hard to find, and getting harder every day. When you're out in the field with your kids, your brother, or your wife, you need equipment you can trust every step of the way. There is no room for error. Our equipment is designed with safety for handlers and cattle in mind, and undergoes extensive testing to ensure the equipment is reliable for your ranch.

From chutes for cattle to custom cattle working systems and pens, Arrowquip has a solution for all your cattle handling needs. For added security, our equipment is backed by industry-leading warranty. Let our generations of ranching experience and knowledge of cattle behavior help you develop a more efficient and profitable operation today, tomorrow, and for years to come.

